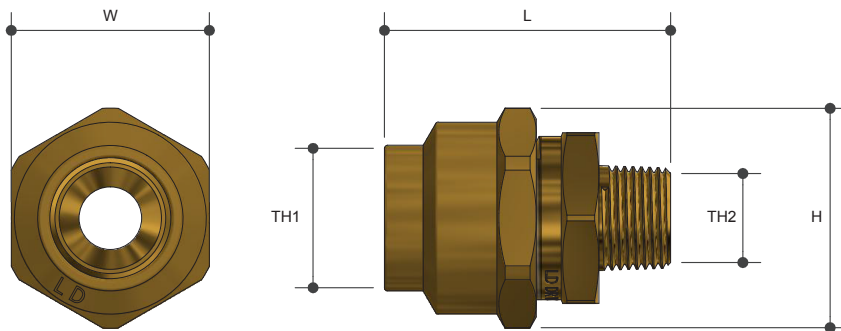


FLARED COMPRESSION

Union MI X C Reducing

Product Specifications



Specifications

Maximum working temperature 1 °C to 95 °C

Maximum pressure rating 1600kPa

Features

Watermark approved

DR Brass

Tested and certified to AS 3688

Sizing Chart (MM)

	L	H	W	TH1	TH2
AW89	44	28	25	15C	R 1/4"
AW95	39	28	25	15C	R 3/8"
AW95NB	39	28	25	15C	R 3/8"
AW106	46	35	32	20C	R 3/8"
AW100	41	25	22	10C	R 1/2"
AW104	47	35	32	20C	R 1/2"
AW109	46	31	27	15C	R 3/4"
AW109NB	46	31	27	15C	R 3/4"
AW113	55	43	38	25C	R 3/4"
AW117	54	40	35	20C	R 1"

Material Chart

Part	Material
Nipple	DR Brass
Compression Nut	DR Brass

For more information on Metforge, contact:

Austworld 15 Activity Crescent, Molendinar, Queensland 4214 Australia

P. 1300 780 430

F. 1300 780 441

E. info@austworld.com.au

Austworld Pty Ltd. All rights reserved 2018. Austworld and Metforge are registered trade mark belonging to Austworld Pty Ltd.

