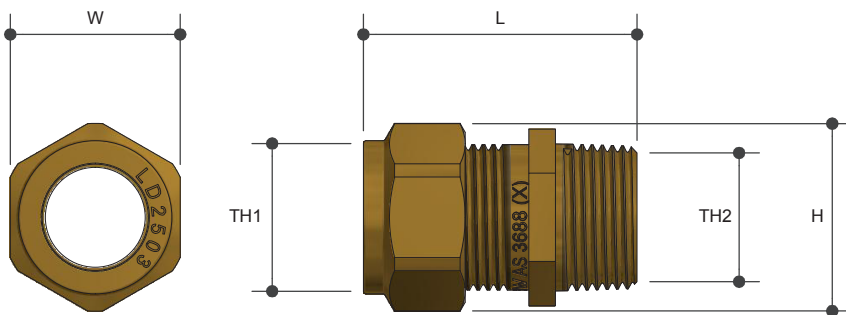


NYLON COMPRESSION

Union M I X C

Product Specifications

Metforge®
b r a s s w a r e



Specifications

Maximum working temperature 1 °C to 95 °C

Maximum pressure rating 1600kPa

Sizing Chart (MM)

	L	H	W	TH1	TH2
AW1110	40	26	23	15C	R 1/2"
AW1116*	40	26	23	15C	R 1/2"
AW1117*	49	34	31	20C	R 3/4"
AW1111	49	34	31	20C	R 3/4"
AW3111	55	41	37	25C	R 1"

* Chrome Plated

Features



Watermark approved

Brass and chrome finish

Tested and certified to AS 3688

Material Chart

Part	Material
Nipple	DR Brass
Compression Nut	DR Brass
Olive	Nylon

For more information on Metforge, contact:
Austworld 15 Activity Crescent, Molendinar, Queensland 4214 Australia
P. 1300 780 430 F. 1300 780 441 E. info@austworld.com.au

Austworld Pty Ltd. All rights reserved 2018. Austworld and Metforge are registered trade mark belonging to Austworld Pty Ltd.

AW
AUSTWORLD