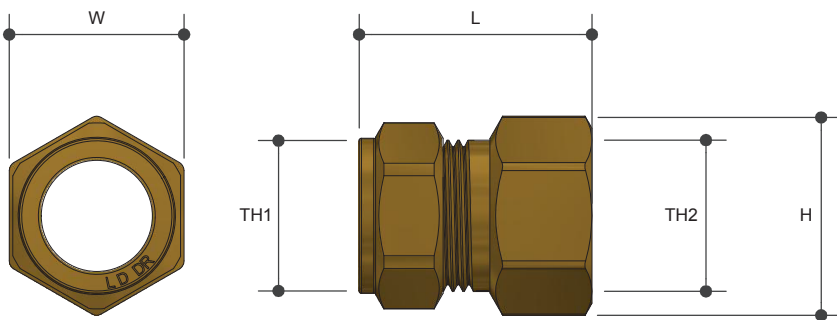


NYLON COMPRESSION

Union FI X C

Product Specifications



Specifications

Maximum working temperature 1 °C to 95 °C

Maximum pressure rating 1600kPa

Features

Watermark approved

Brass and chrome finish

Tested and certified to AS 3688

Sizing Chart (MM)

	L	H	W	TH1	TH2
AW1120	38	30	26	15C	Rp 1/2"
AW1126*	38	30	26	15C	Rp 1/2"
AW1121	45	35	31	20C	Rp 3/4"
AW1127*	45	35	31	20C	Rp 3/4"
AW3120	51	44	39	25C	Rp 1"

* Chrome Plated

Material Chart

Part	Material
Nipple	DR Brass
Compression Nut	DR Brass
Olive	Nylon

For more information on Metforge, contact:
Austworld 15 Activity Crescent, Molendinar, Queensland 4214 Australia
P. 1300 780 430 F. 1300 780 441 E. info@austworld.com.au

Austworld Pty Ltd. All rights reserved 2018. Austworld and Metforge are registered trade mark belonging to Austworld Pty Ltd.

