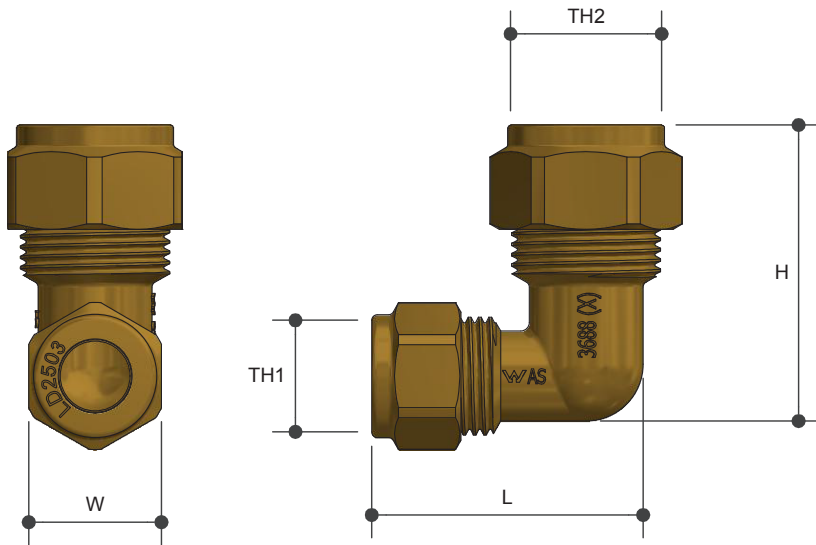


# NYLON COMPRESSION

## Elbow C X C Reducing

### Product Specifications



### Specifications

Maximum working temperature 1°C to 95°C

Maximum pressure rating 1600kPa

### Sizing Chart (MM)

	L	H	W	TH1	TH2
AW1132	47	52	23	15C	20C
AW1138*	47	52	23	15C	20C

\* Chrome Plated

### Features

Watermark approved

Brass and chrome finish

Tested and certified to AS 3688

### Material Chart

Part	Material
Elbow	DR Brass
Compression Nut	DR Brass
Olive	Nylon

For more information on Metforge, contact:

Austworld 15 Activity Crescent, Molendinar, Queensland 4214 Australia

P. 1300 780 430

F. 1300 780 441

E. [info@austworld.com.au](mailto:info@austworld.com.au)

Austworld Pty Ltd. All rights reserved 2018. Austworld and Metforge are registered trade mark belonging to Austworld Pty Ltd.

