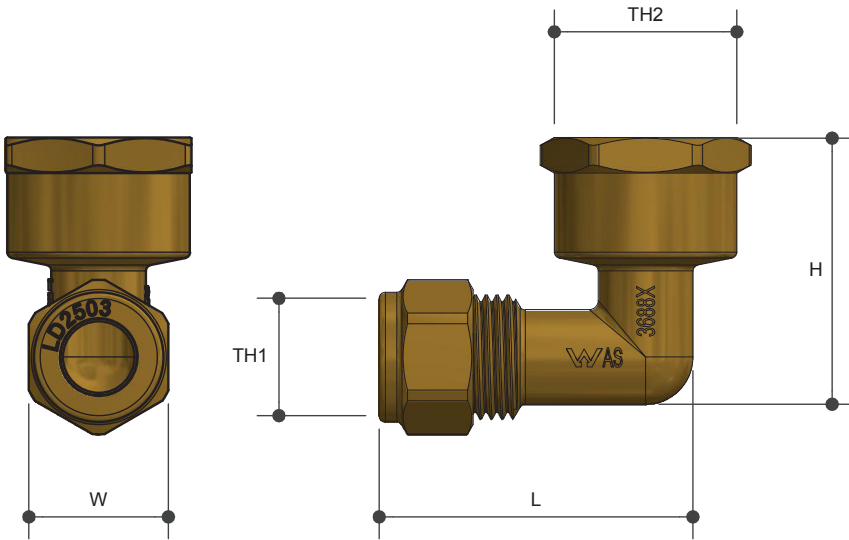


NYLON COMPRESSION

Elbow FI X C Reducing

Product Specifications



Specifications

Maximum working temperature 1°C to 95°C

Maximum pressure rating 1600kPa

Sizing Chart (MM)

	L	H	W	TH1	TH2
AW1152	52	44	23	15C	Rp 3/4"
AW1157*	52	44	23	15C	Rp 3/4"
AW1153	55	47	31	20C	Rp 1/2"

* Chrome Plated

Features

Watermark approved

Brass and chrome finish

Tested and certified to AS 3688

Material Chart

Part	Material
Elbow	DR Brass
Compression Nut	DR Brass
Olive	Nylon

For more information on Metforge, contact:
Austworld 15 Activity Crescent, Molendinar, Queensland 4214 Australia
P. 1300 780 430 F. 1300 780 441 E. info@austworld.com.au

Austworld Pty Ltd. All rights reserved 2018. Austworld and Metforge are registered trade mark belonging to Austworld Pty Ltd.

