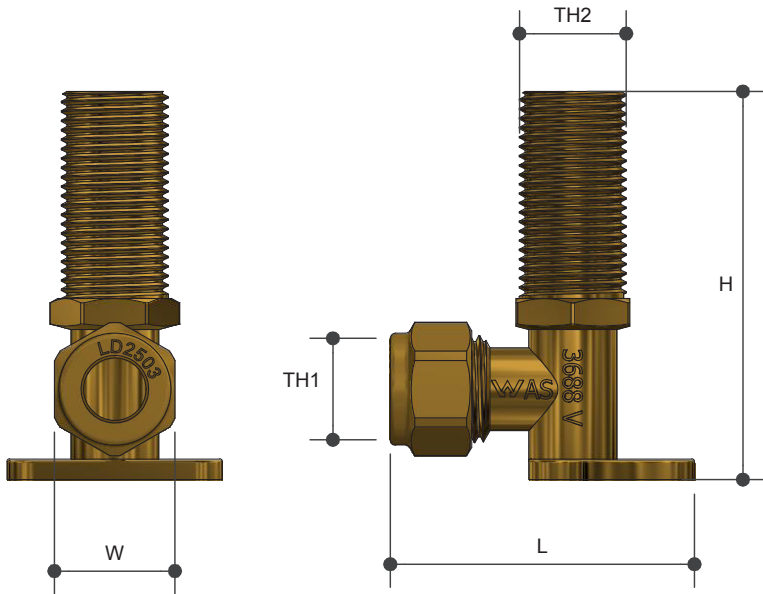


NYLON COMPRESSION

Elbow MI X C Extended Lugged

Product Specifications

Metforge®
b r a s s w a r e



Specifications

Maximum working temperature 1°C to 95°C

Maximum pressure rating 1600kPa

Features

Watermark approved

Brass and chrome finish

Tested and certified to AS 3688

Sizing Chart (MM)

	L	H	W	TH1	TH2
AW1170	59	75	23	15C	G 1/2"
AW1172	59	75	23	15C	G 1/2"

* Chrome Plated

Material Chart

Part	Material
Elbow	DR Brass
Compression Nut	DR Brass
Olive	Nylon

For more information on Metforge, contact:
Austworld 15 Activity Crescent, Molendinar, Queensland 4214 Australia
P. 1300 780 430 F. 1300 780 441 E. info@austworld.com.au

Austworld Pty Ltd. All rights reserved 2018. Austworld and Metforge are registered trade mark belonging to Austworld Pty Ltd.

AW
AUSTWORLD