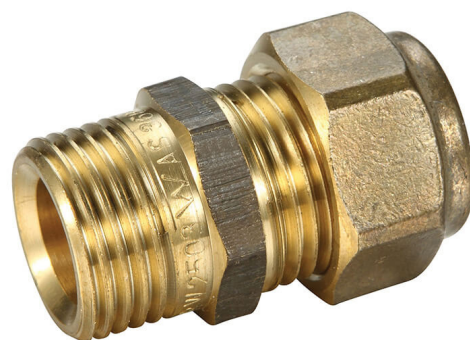
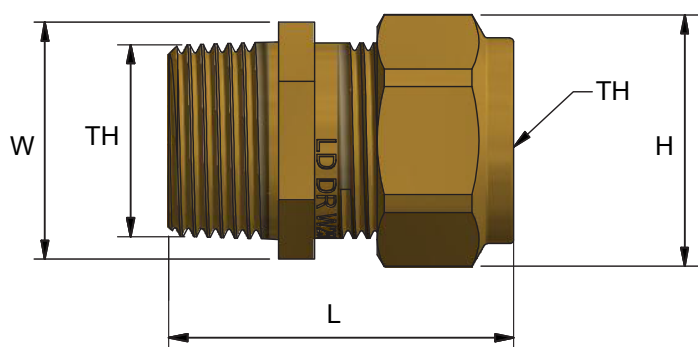


COPPER COMPRESSION

Union MI X C

Product Specifications

Metforge®
brassware



Specifications

Maximum working temperature 60°C

Maximum pressure rating 2000kPa

Sizing Chart [MM]

	L	H	W	TH
AW2111	46	34	32	3/4"

Features



Watermark approved

DR Brass

Tested and certified to AS 3688

For more information on Metforge, contact:

Austworld 15 Activity Crescent, Molendinar, Queensland 4214 Australia

P. 1300 780 430

F. 1300 780 441

E. info@austworld.com.au

Austworld Pty Ltd. All rights reserved 2018. Austworld and Metforge are registered trade mark belonging to Austworld Pty Ltd.

AW
AUSTWORLD