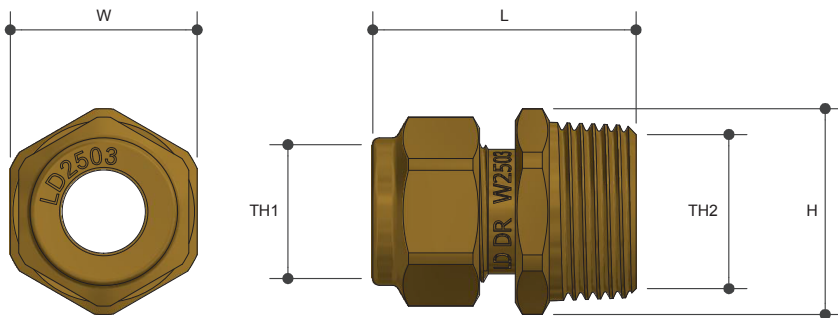


COPPER COMPRESSION

Union FI X C Reducing

Product Specifications



Specifications

Maximum working temperature 1 °C to 95 °C

Maximum pressure rating 1600kPa

Sizing Chart (MM)

	L	H	W	TH1	TH2
AW2122	40	35	31	15C	Rp 3/4"
AW2122NB	40	35	31	15C	Rp 3/4"

Features

Watermark approved

DR Brass

Tested and certified to AS 3688

Material Chart

Part	Material
Nipple	DR Brass
Compression Nut	DR Brass
Olive	Copper

For more information on Metforge, contact:

Austworld 15 Activity Crescent, Molendinar, Queensland 4214 Australia

P. 1300 780 430

F. 1300 780 441

E. info@austworld.com.au

Austworld Pty Ltd. All rights reserved 2018. Austworld and Metforge are registered trade mark belonging to Austworld Pty Ltd.

