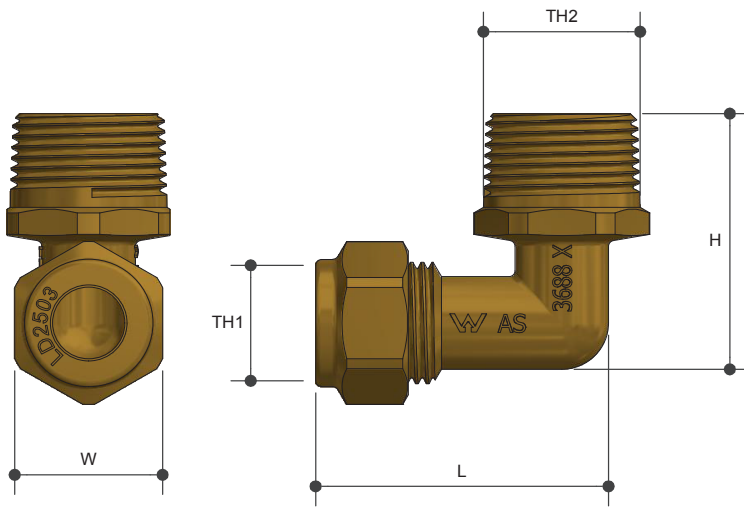


COPPER COMPRESSION

Elbow M I X C Reducing

Product Specifications

Metforge®
b r a s s w a r e



Specifications

Maximum working temperature 1°C to 95°C

Maximum pressure rating 1600kPa

Sizing Chart (MM)

	L	H	W	TH1	TH2
AW2142	50	44	25	15C	R 3/4"
AW2142NB	50	44	25	15C	R 3/4"

Features

Watermark approved

DR Brass

Tested and certified to AS 3688

Material Chart

Part	Material
Elbow	DR Brass
Compression Nut	DR Brass
Olive	Copper

For more information on Metforge, contact:

Austworld 15 Activity Crescent, Molendinar, Queensland 4214 Australia

P. 1300 780 430

F. 1300 780 441

E. info@austworld.com.au

Austworld Pty Ltd. All rights reserved 2018. Austworld and Metforge are registered trade mark belonging to Austworld Pty Ltd.

AW
AUSTWORLD