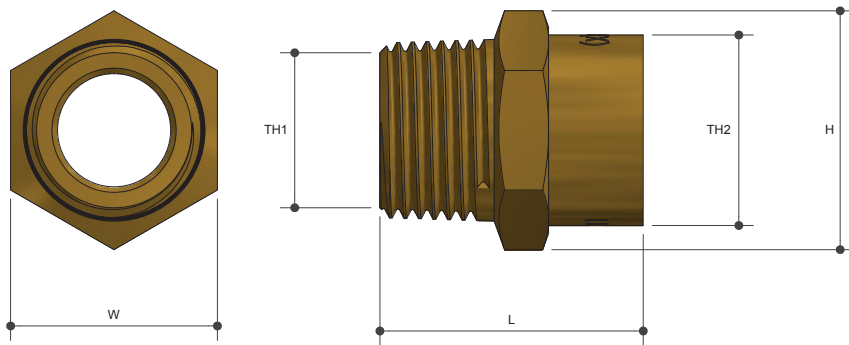


# BRASS CAPILLARY

MI Cap Connection No. 3

Product Specifications

Metforge®  
brassware



## Specifications

Working temperature 1°C - 99°C

Maximum pressure 1600kPa

## Sizing Chart (MM)

	L	H	W	TH1	TH2
AW373	24	22	19	R 3/8"	15OD
AW376	24	24	22	R 1/2"	15OD
AW380	25	30	27	R 3/4"	15OD
AW381	23	27	24	R 1/2"	20OD
AW375	29	31	27	R 3/4"	20OD
AW375NB	29	31	27	R 3/4"	20OD
AW382	27	33	31	R 3/4"	25OD
AW377	28	37	34	R 1"	25OD

## Features



Watermark Approved

DR Brass

Tested and certified to AS 3688

## Material Chart

Part	Material
Cap Connector	DR Brass

For more information on Metforge, contact:

Austworld 15 Activity Crescent, Molendinar, Queensland 4214 Australia

P. 1300 780 430

F. 1300 780 441

E. [info@austworld.com.au](mailto:info@austworld.com.au)

Austworld Pty Ltd. All rights reserved 2018. Austworld and Metforge are registered trade mark belonging to Austworld Pty Ltd.

**AW**  
AUSTWORLD