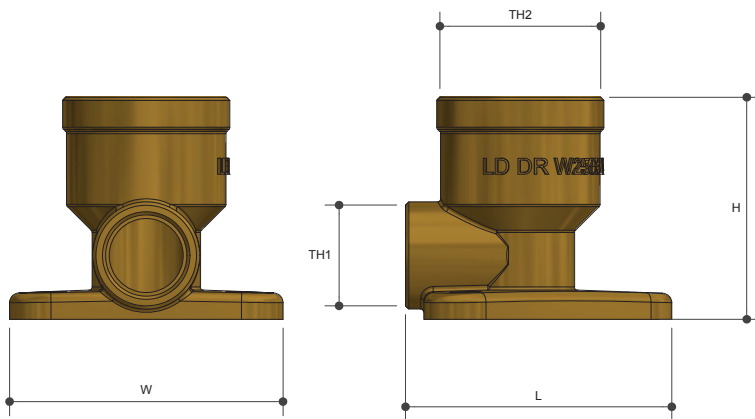


BRASS CAPILLARY

Elbow FI X Cap Lugged No. 15BP

Product Specifications



Specifications

Working temperature 1°C - 99°C

Maximum pressure 1600kPa

Sizing Chart (MM)

| | L | H | W | TH1 | TH2 |
|-------|----|----|----|---------|------|
| AW386 | 34 | 20 | 26 | Rp 1/2" | 15OD |
| AW387 | 50 | 22 | 42 | Rp 1/2" | 20OD |
| AW388 | 50 | 22 | 45 | Rp 3/4" | 20OD |

Features



Watermark Approved

DR Brass

Tested and certified to AS 3688

Material Chart

| Part | Material |
|-------|----------|
| Elbow | DR Brass |

For more information on Metforge, contact:

Austworld 15 Activity Crescent, Molendinar, Queensland 4214 Australia

P. 1300 780 430

F. 1300 780 441

E. info@austworld.com.au

Austworld Pty Ltd. All rights reserved 2018. Austworld and Metforge are registered trade mark belonging to Austworld Pty Ltd.

