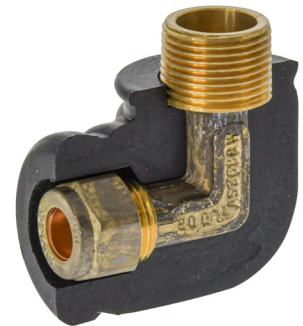
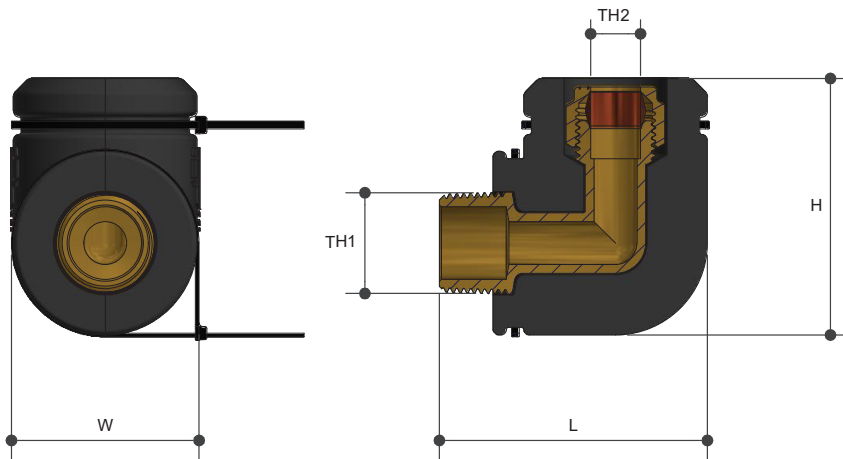


HOT WATER SYSTEM COMPONENTS

Copper Compression Elbow Reduction Extension

Product Specifications



Specifications

Working temperature 1 °C to 95 °C

Maximum pressure rating 1600 KPa

Sizing Chart (MM)

	L	H	W	TH1	TH2
AW4142	70	67	49	R 3/4"	DN15

Features



Watermark approved

DR Brass

Tested and certified to AS 3688

Material Chart

Part	Material
Elbow	DR Brass
Compression Nut	DR Brass
Olive	Copper

For more information on Logi Valve, contact:
Austworld 15 Activity Crescent, Molendinar, Queensland 4214 Australia
P. 1300 780 430 F. 1300 780 441 E. info@austworld.com.au

Austworld Pty Ltd. All rights reserved 2018. Austworld and Logi Valve are registered trade mark belonging to Austworld Pty Ltd.

Revision no. 1.0 | 24/05/2021

