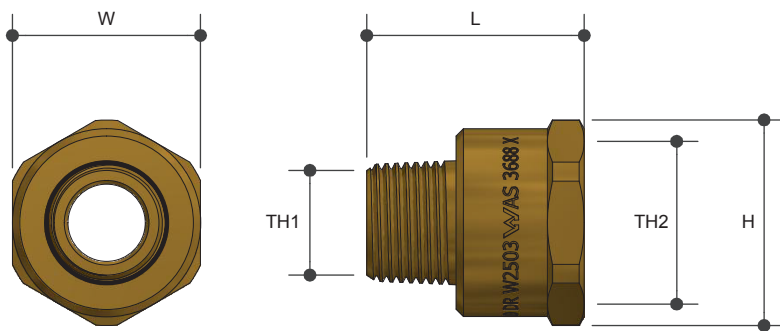


SCREWED BRASSWARE

Adaptor MI X FI Reducing

Product Specifications

Metforge®
brassware



Specifications

Working temperature 1 °C - 95 °C

Maximum pressure rating 1600kPa

Sizing Chart (MM)

	L	H	W	TH1	TH2
AW462	27	24	22	R 1/2"	Rp 3/8"
AW461	30	29	25	R 1/4"	Rp 1/2"
AW468	30	28	26	R 3/8"	Rp 1/2"
AW478	31	35	31	R 1/2"	Rp 3/4"
AW478NB	31	35	31	R 1/2"	Rp 3/4"
AW477	37	40	38	R 1/2"	Rp 1"
AW481	40	43	38	R 3/4"	Rp 1"
AW479	38	50	47	R 1/2"	Rp 1/4"
AW480	39	50	47	R 3/4"	Rp 1/4"
AW482	46	50	47	R 1"	Rp 1/4"
AW483	42	59	56	R 1"	Rp 1 1/2"
AW484	47	59	56	R 1 1/4"	Rp 1 1/2"
AW485	50	70	66	R 1 1/2"	Rp 2"

Features



Watermark approved

DR Brass

Tested and certified to AS 3688

Material Chart

Part	Material
Adaptor	DR Brass

For more information on Metforge, contact:

Austworld 15 Activity Crescent, Molendinar, Queensland 4214 Australia

P. 1300 780 430

F. 1300 780 441

E. info@austworld.com.au

Austworld Pty Ltd. All rights reserved 2018. Austworld and Metforge are registered trade mark belonging to Austworld Pty Ltd.

AW
AUSTWORLD