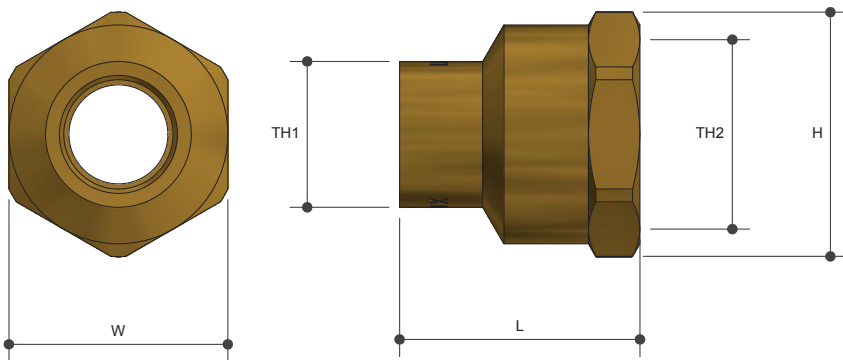


BRASS CAPILLARY

Tube Bush MI No. 4F

Product Specifications



Specifications

Working temperature 1°C - 99°C

Maximum pressure 1600kPa

Sizing Chart (MM)

	L	H	W	TH1	TH2
AW600	28	25	25	DN15	Rp 1/2"
AW601	28	35	31	DN20	Rp 3/4"
AW602	73	73	52	DN25	Rp 1"
AW603	38	50	47	DN32	Rp 1 1/4"
AW604	40	59	56	DN40	Rp 1 1/2"
AW605	44	70	66	DN50	Rp 2"
AW606	51	87	82	DN65	Rp 2 1/2"
AW607	53	102	95	DN80	Rp 3"
AW608	60	129	122	DN100	Rp 4"

Features



Watermark Approved

DR Brass

Tested and certified to AS 3688

Material Chart

Part	Material
Tube Bush	DR Brass

For more information on Metforge, contact:

Austworld 15 Activity Crescent, Molendinar, Queensland 4214 Australia

P. 1300 780 430

F. 1300 780 441

E. info@austworld.com.au

Austworld Pty Ltd. All rights reserved 2018. Austworld and Metforge are registered trade mark belonging to Austworld Pty Ltd.

