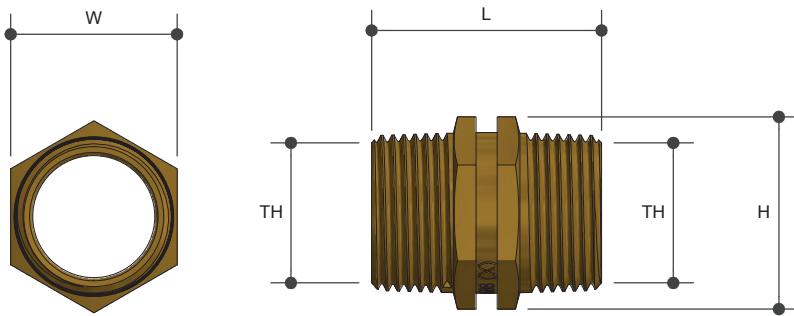


# SCREWED BRASSWARE

## Hexagon Nipple

### Product Specifications



### Specifications

Working temperature 1°C to 60°C

Maximum pressure rating 1600kPa

### Sizing Chart (MM)

	L	H	W	TH
AW658	22	12	10	R 1/8"
AW660	32	16	14	R 1/4"
AW660NB	32	16	14	R 1/4"
AW662	27	19	18	R 3/8"
AW664	34	25	22	R 1/2"
AW664NB	34	25	22	R 1/2"
AW664XL	42	25	22	R 1/2"
AW669	34	25	22	R 1/2"
AW669NB	34	25	22	R 1/2"
AW665*	34	25	22	R 1/2"
AW666	38	28	28	R 3/4"
AW666NB	38	28	28	R 3/4"
AW680	36	32	28	R 3/4"
AW667*	38	31	27	R 3/4"
AW668	46	40	35	R 1"
AW670	46	46	43	R 1 1/4"
AW671	48	53	49	R 1 1/2"
AW673	55	65	61	R 2"
AW674	76	82	77	R 2 1/2"
AW675	81	94	90	R 3"
AW676	92	121	115	R 4"

\* Chrome Plated

For more information on Metforge, contact:

Austworld 15 Activity Crescent, Molendinar, Queensland 4214 Australia

P. 1300 780 430

F. 1300 780 441

E. info@austworld.com.au

Austworld Pty Ltd. All rights reserved 2018. Austworld and Metforge are registered trade mark belonging to Austworld Pty Ltd.

### Features

Watermark approved

Brass and chrome finish

Tested and certified to AS 3688

### Material Chart

Part	Material
Nipple	DR Brass



AUSTWORLD