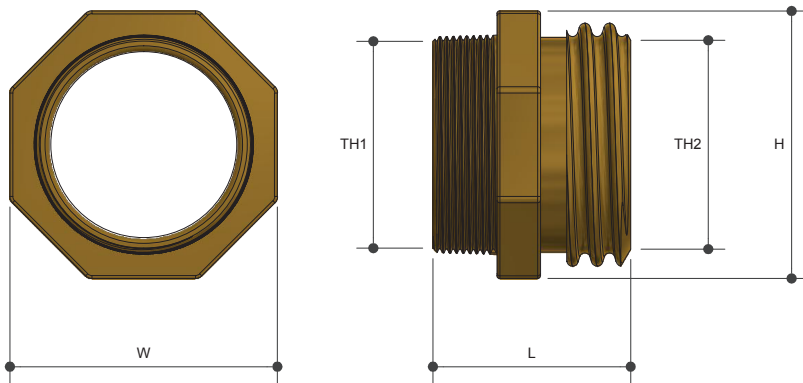


FIRE CONTROL FITTINGS

CFA Connection Nipple

Product Specifications



Specifications

Working temperature 1°C - 95°C

Maximum pressure rating 1600kPa

Sizing Chart (MM)

	L	H	W	TH1	TH2
AW67401	68	92	92	R 2 1/2"	83OD

Features



Watermark Approved

DR Brass

Tested and certified to AS 3688

Material Chart

Part	Material
Body	DR Brass

For more information on Metforge, contact:
Austworld 15 Activity Crescent, Molendinar, Queensland 4214 Australia
P. 1300 780 430 F. 1300 780 441 E. info@austworld.com.au

Austworld Pty Ltd. All rights reserved 2018. Austworld and Metforge are registered trade mark belonging to Austworld Pty Ltd.

