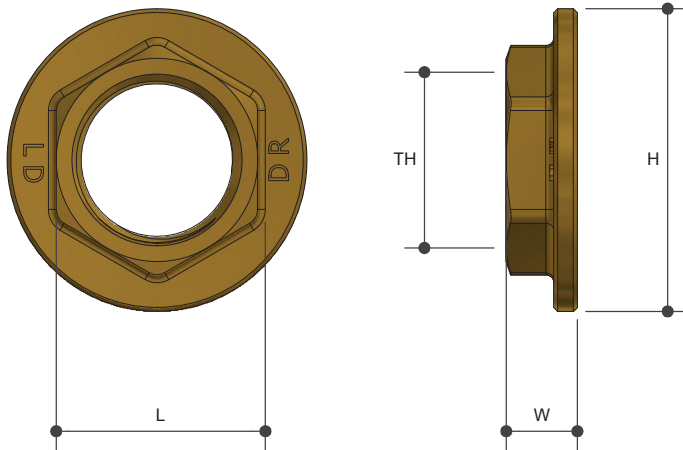


# SCREWED BRASSWARE

## Back Nut Flange

### Product Specifications



### Specifications

Working temperature 1 °C - 95 °C

Maximum pressure rating 1600kPa

### Sizing Chart (MM)

	L	H	W	TH
BNF15	9	38	26	G 1/2"
BNF15C*	9	38	26	G 1/2"
BNF20	13	40	31	G 3/4"
BNF20C*	13	40	31	G 3/4"
BNF25	11	50	39	G 1"
BNF32	12	60	48	G 1 1/4"
BNF40	12	68	54	G 1 1/2"
BNF50	13	80	67	G 2"

\* Chrome plated finish

### Features



Watermark approved

Brass and chrome finish

Tested and certified to AS 3688

### Material Chart

Part	Material
Body	DR Brass

For more information on Metforge, contact:

Austworld 15 Activity Crescent, Molendinar, Queensland 4214 Australia

P. 1300 780 430

F. 1300 780 441

E. [info@austworld.com.au](mailto:info@austworld.com.au)

Austworld Pty Ltd. All rights reserved 2018. Austworld and Metforge are registered trade mark belonging to Austworld Pty Ltd.

