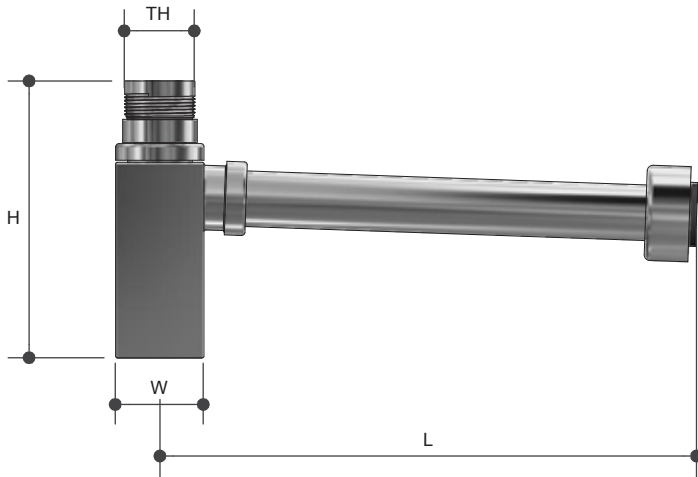


Bottle Traps SQUARE

BOT-04 Series

Product Specifications

MT MONOPOLY™
T A P W A R E



Sizing Chart (MM)

	L	H	W	TH
BOT-04	365**	188 - 270*	60	G 1 1/2"
BOT-04MB	365**	188 - 270*	60	G 1 1/2"
BOT-04NP	365**	188 - 270*	60	G 1 1/2"

*H extendable from 188mm to 270mm
**L can be cut to length

Features



Watermark approved

Innovative design allowing for universal application

Solid Brass

Kee seal connection included

Hidden integrated service cap

Supplied with 32MM adaptor

Available in Chrome, Matte black and Nickel Plated finish

Tested and certified to AS/NZS 3718

For more information on Monopoly Tapware, contact:
Austworld 15 Activity Crescent, Molendinar, Queensland 4214 Australia
P. 1300 780 430 F. 1300 780 441 E. info@austworld.com.au

Austworld Pty Ltd. All rights reserved 2018. Austworld and Monopoly Tapware are registered trade mark belonging to Austworld Pty Ltd.

