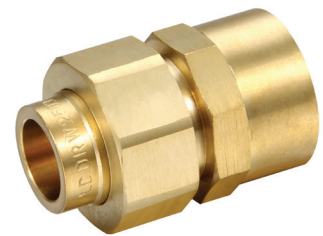
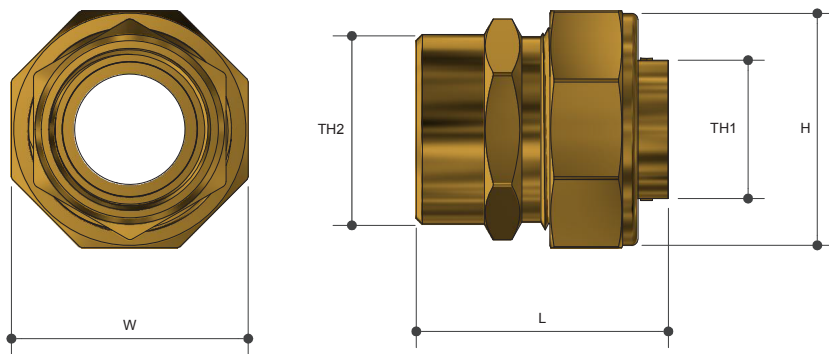


BRASS CAPILLARY

Barrel Union Fl X Cap

Product Specifications

Metforge®
brassware



Specifications

Working temperature 1°C - 99°C

Maximum pressure 1600kPa

Sizing Chart (MM)

	L	H	W	TH1	TH2
BUCF15	40	30	30	Rp 1/2"	DN15
BUCF20	42	38	38	Rp 3/4"	DN20
BUCF25	52	48	48	Rp 1"	DN25
BUCF32	58	57	57	R 1 1/4"	DN32
BUCF40	67	66	66	R 1 1/2"	DN40
BUCF50	75	79	79	R 2"	DN50

Features



Watermark Approved

DR Brass

Tested and certified to AS 3688

Material Chart

Part	Material
Body	DR Brass
Nipple	DR Brass
Nut	Brass

For more information on Metforge, contact:

Austworld 15 Activity Crescent, Molendinar, Queensland 4214 Australia

P. 1300 780 430

F. 1300 780 441

E. info@austworld.com.au

Austworld Pty Ltd. All rights reserved 2018. Austworld and Metforge are registered trade mark belonging to Austworld Pty Ltd.

AW
AUSTWORLD