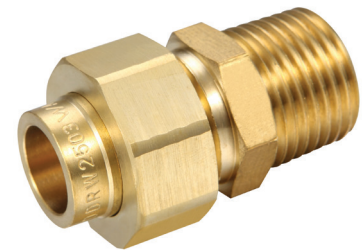
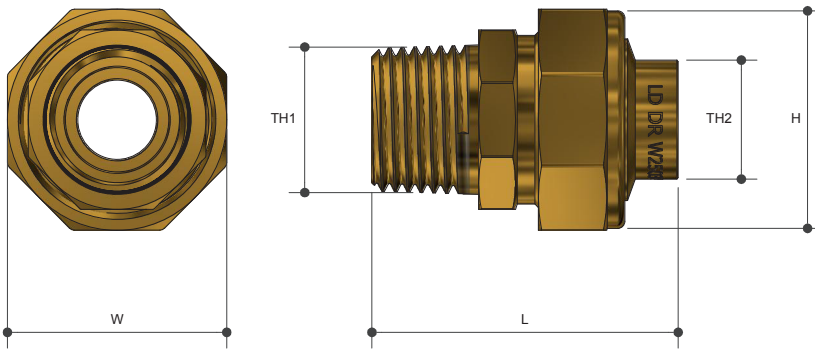


BRASS CAPILLARY

Barrel Union MI X Cap

Product Specifications



Specifications

Maximum working temperature 1 °C to 60 °C

Maximum pressure rating 1600kPa

Sizing Chart (MM)

	L	H	W	TH1	TH2
BUCM15	43	30	30	R 1/2"	DN15
BUCM20	48	38	38	R 3/4"	DN20
BUCM25	55	47	47	R 1"	DN25
BUCM32	63	56	56	R 1 1/4"	DN32
BUCM40	69	66	66	R 1 1/2"	DN40
BUCM50	78	79	79	R 2"	DN50

Features



Watermark approved

DR Brass

Tested and certified to AS 3688

Material Chart

Part	Material
Body	DR Brass
Nipple	DR Brass
Nut	Brass

For more information on Metforge, contact:

Austworld 15 Activity Crescent, Molendinar, Queensland 4214 Australia

P. 1300 780 430

F. 1300 780 441

E. info@austworld.com.au

Austworld Pty Ltd. All rights reserved 2018. Austworld and Metforge are registered trade mark belonging to Austworld Pty Ltd.

