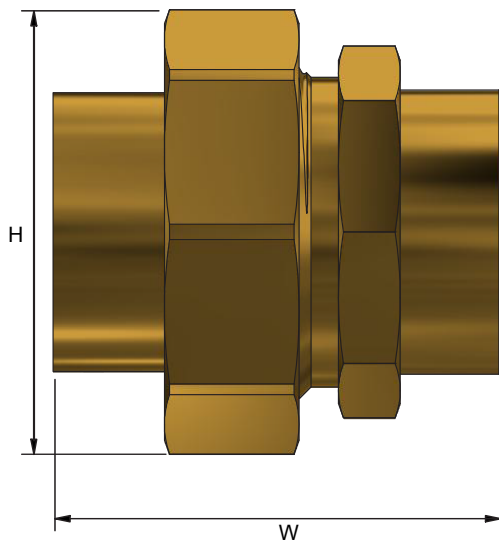


# BARREL UNION

Female

Product Specifications



## Specifications

Working pressure 1600kPa

## Sizing Chart [MM]

	H	W
BUF06	22	15
BUF10	28	43
BUF15	35	47
BUF20	46	49
BUF25	50	58
BUF32	56	72
BUF40	63	76
BUF50	74	89

## Features



Watermark approved

tested and certified to AS 3688

## Material Chart

Part	Material
Union	Brass
Nut	Brass

For more information on Metforge, contact:  
Austworld 15 Activity Crescent, Molendinar, Queensland 4214 Australia  
P. 1300 780 430 F. 1300 780 441 E. [info@austworld.com.au](mailto:info@austworld.com.au)

Austworld Pty Ltd. All rights reserved 2018. Austworld and Metforge are registered trade mark belonging to Austworld Pty Ltd.

