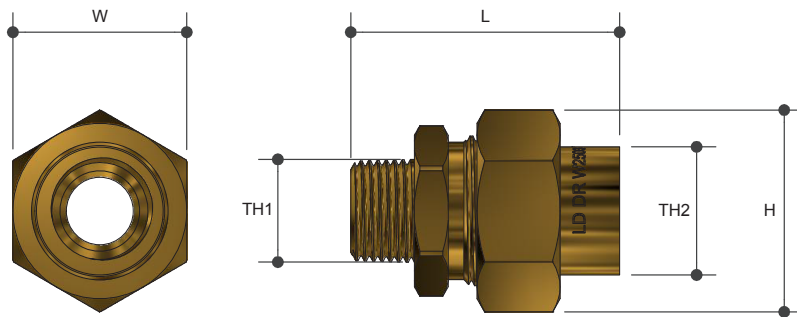


SCREWED BRASSWARE

Barrel Union MI X FI

Product Specifications



Specifications

Working temperature 1 °C - 95 °C

Maximum pressure rating 1600kPa

Sizing Chart (MM)

	L	H	W	TH1	TH2
BUM06	44	25	23	R 1/4"	Rp 1/4"
BUM10	43	32	28	R 3/8"	Rp 3/8"
BUM15	54	37	35	R 1/2"	Rp 1/2"
BUM20	54	49	46	R 3/4"	Rp 3/4"
BUM25	65	53	50	R 1"	Rp 1"
BUM32	76	60	56	R 1 1/4"	Rp 1 1/4"
BUM32NB	76	60	56	R 1 1/4"	Rp 1 1/4"
BUM40	78	66	63	R 1 1/2"	Rp 1 1/2"
BUM50	88	79	74	R 2"	Rp 2"
BUF50	90	79	74	Rp 2"	Rp 2"

Features



Watermark approved

DR Brass

Tested and certified to AS 3688

Material Chart

Part	Material
Body	DR Brass
Nut	DR Brass

For more information on Metforge, contact:

Austworld 15 Activity Crescent, Molendinar, Queensland 4214 Australia

P. 1300 780 430

F. 1300 780 441

E. info@austworld.com.au

Austworld Pty Ltd. All rights reserved 2018. Austworld and Metforge are registered trade mark belonging to Austworld Pty Ltd.

