

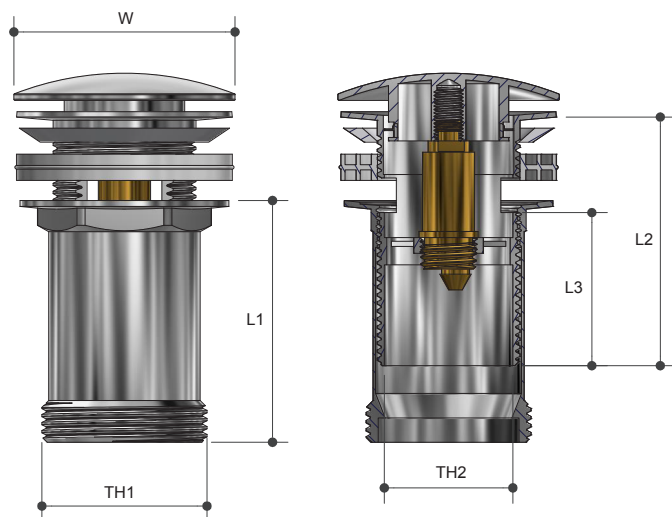
Plug and Wastes

DOME POP UP UNIVERSAL

DPWM3240

Product Specifications

MT MONOPOLY™
TAPWARE



Specifications

40MM Outlet thread

Suits 32mm and 40mm basins

Sizing Chart (MM)

	L1	L2	L3	W	TH1	TH2	SIZE
DPWM3240	70	72	44	63	G 1 1/4"	G 1 1/2"	32MM X 40MI
DPWM3240MB	70	72	44	63	G 1 1/4"	G 1 1/2"	32MM X 40MI
DPWM3240BG	70	72	44	63	G 1 1/4"	G 1 1/2"	32MM X 40MI

Features



Watermark approved

Available in Chrome, Matte black and Brushed Gold finish

Pop up function

Universal, for use on overflow and non overflow basins

Tested and certified to WMTS 040

For more information on Monopoly Tapware, contact:
Austworld 15 Activity Crescent, Molendinar, Queensland 4214 Australia

P. 1300 780 430 F. 1300 780 441 E. info@austworld.com.au

Austworld Pty Ltd. All rights reserved 2018. Austworld and Monopoly Tapware are registered trade mark belonging to Austworld Pty Ltd.

