

Series RPZ Flomatic®

Reduced Pressure Zone Device

Size: DN65-DN200

Flomatic Reduced Pressure Zone Devices protect against backflow by either backpressure or backsiphonage from a cross-connection between potable water systems and substances that are nonhealthy and health hazards.

Features

- Max. working temperature: 60°C
- Max. working pressure: 1200kPa (12bar)
- Shell Test Pressure: 2400kPa (24bar)

Material

Component	Material
Valve Body	Ductile Iron
Access Cover	Ductile Iron
Polymers	Noryl™, NSF Listed
Elastomers	Silicone
Springs	Buna-n (FDA approved)
Coatings	Stainless Steel
	FDA approved fusion epoxy



Specification

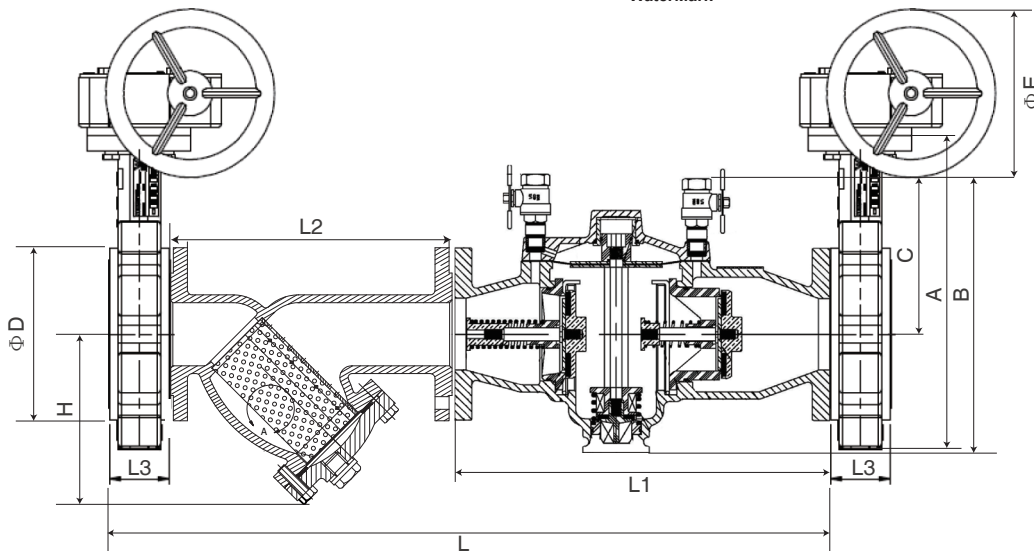
The device shall be constructed from Ductile Iron. It shall consist of two mechanically independent, spring loaded, center stem guided check valves. It shall also have a hydraulically dependent differential pressure relief valve with the sensing passage set in an integral cast ductile iron body, with a single access cover. The assembly shall have four vertical test cocks, a Y-strainer and two butterfly valves. The relief valve shall have removable stainless steel seat ring. The check valves shall be held into place by stainless steel clips and the check valve assemblies shall be non-interchangeable with silicone discs.

Approval

- WMK25926

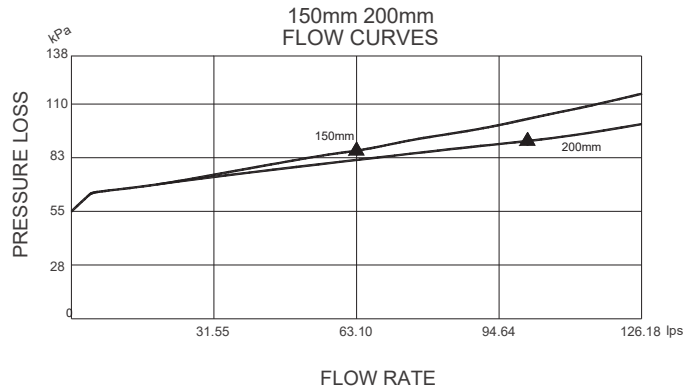
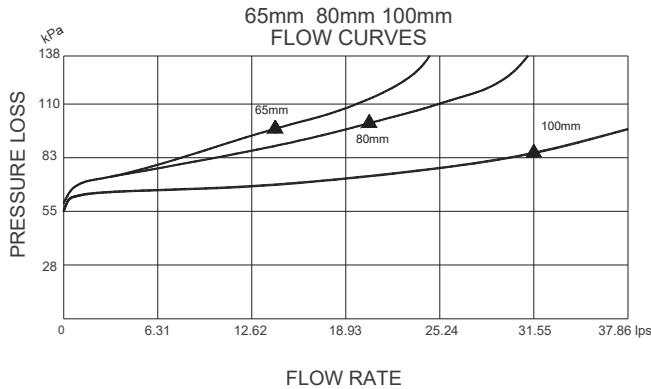


Installation Dimensions



Size	Dimensions										Net Weigh for Device Only kg.
	L	L1	L2	L3	A	B	C	D	E	H	
65	723	413	218	46	233	297	168	105	150	100	27
80	752	413	248	46	251	297	169	120	150	100	27
100	932	533	295	52	280	384	190	153	150	105	54.5
150	1057	597	348	56	344	459	221	208	150	140	74
200	1281	749	410	61	401	535	283	260	298	173	136

Characteristic Curves



▲ RATED FLOW
(Established by Approval Agencies)

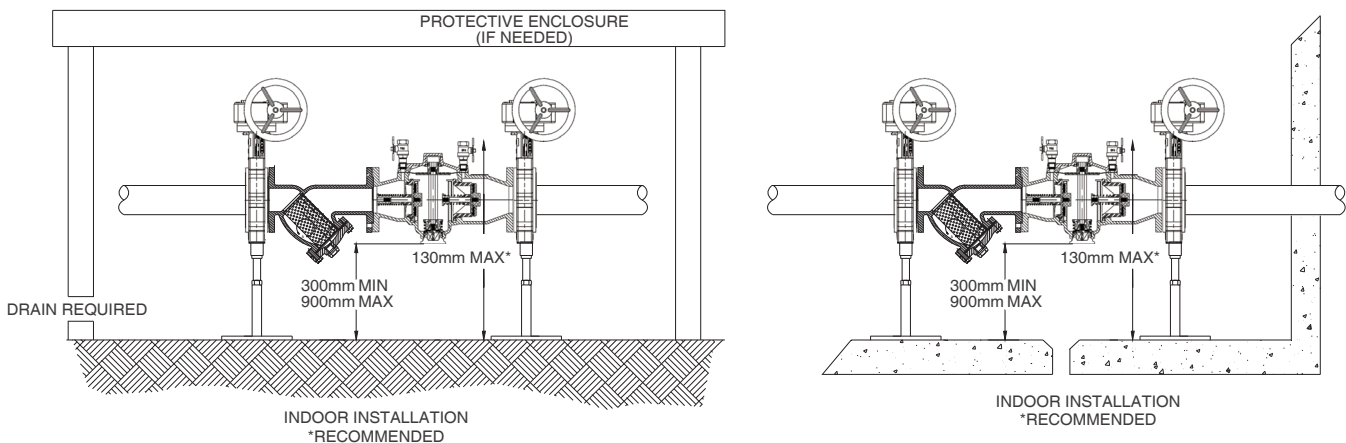
Capacity thru Schedule 40 Pipe (LPS)				
Pipe size	1.5 m/s	2.3 m/s	3 m/s	4.6 m/s
65	4.7	7.1	9.4	14.1
80	7.3	10.9	14.5	21.8
100	12.5	18.8	25.0	37.5
150	28.4	42.6	56.8	85.2
200	49.2	73.8	98.4	147.6

Typical Installation

Model RPZ Reduced Pressure Backflow Preventers should be installed with adequate clearance and easy accessibility for testing and maintenance and must be protected from freezing. Local codes shall govern installation requirements. Unless otherwise specified, the assembly shall be mounted at a minimum clearance of 300mm between port and floor or grade. The assembly shall have a maximum of 760mm above adequate drains with sufficient side clearance for testing and maintenance. The installation shall be made so that no part of the unit can be submerged. Thermal water expansion can cause excessive pressure. Excessive pressure situations should be eliminated to avoid possible damage to the system and assembly.

Fittings such as end connectors intended to join alternative pipe systems made from other materials (e.g. plastics) shall also conform to the relevant dimensional and performance requirements of the appropriate Australian, New Zealand, or joint Australian/New Zealand Standard for the alternative pipe system.

Test the assembly at initial installation, after servicing or maintenance to AS/NZS2845.3 and local regulatory authority requirements.



Product Codes

Model NO.	Description
FLO-RPZ-065-TE	65MM FLOMATIC DUCTILE IRON RPZ DEVICE ONLY TABLE E
FLO-RPZ-080-TE	80MM FLOMATIC DUCTILE IRON RPZ DEVICE ONLY TABLE E
FLO-RPZ-100-TE	100MM FLOMATIC DUCTILE IRON RPZ DEVICE ONLY TABLE E
FLO-RPZ-150-TE	150MM FLOMATIC DUCTILE IRON RPZ DEVICE ONLY TABLE E
FLO-RPZ-200-TE	200MM FLOMATIC DUCTILE IRON RPZ DEVICE ONLY TABLE E
FLO-RPZ-065-LBS	65MM FLOMATIC DUCTILE IRON RPZ C/W LEVER BUTTERFLY & STRAINER TABLE E
FLO-RPZ-080-LBS	80MM FLOMATIC DUCTILE IRON RPZ C/W LEVER BUTTERFLY & STRAINER TABLE E
FLO-RPZ-100-LBS	100MM FLOMATIC DUCTILE IRON RPZ C/W LEVER BUTTERFLY & STRAINER TABLE E
FLO-RPZ-150-LBS	150MM FLOMATIC DUCTILE IRON RPZ C/W LEVER BUTTERFLY & STRAINER TABLE E
FLO-RPZ-200-LBS	200MM FLOMATIC DUCTILE IRON RPZ C/W LEVER BUTTERFLY & STRAINER TABLE E
FLO-RPZ-065-GBS	65MM FLOMATIC DUCTILE IRON RPZ C/W GEARED BUTTERFLY & STRAINER TABLE E
FLO-RPZ-080-GBS	80MM FLOMATIC DUCTILE IRON RPZ C/W GEARED BUTTERFLY & STRAINER TABLE E
FLO-RPZ-100-GBS	100MM FLOMATIC DUCTILE IRON RPZ C/W GEARED BUTTERFLY & STRAINER TABLE E
FLO-RPZ-150-GBS	150MM FLOMATIC DUCTILE IRON RPZ C/W GEARED BUTTERFLY & STRAINER TABLE E
FLO-RPZ-200-GBS	200MM FLOMATIC DUCTILE IRON RPZ C/W GEARED BUTTERFLY & STRAINER TABLE E