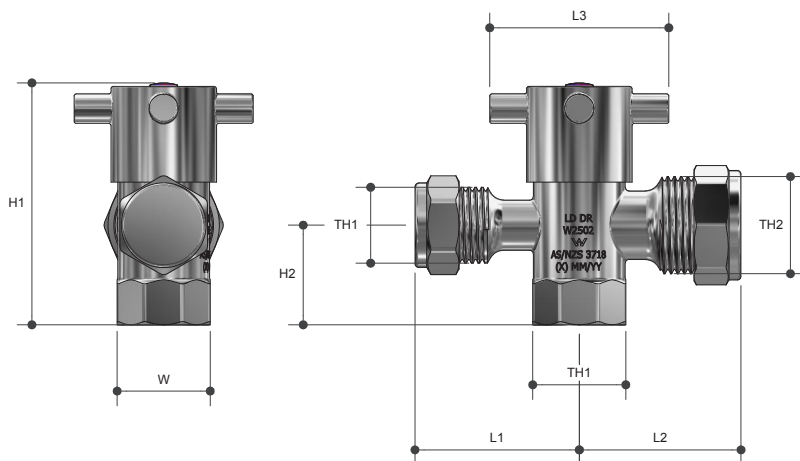


# Dual Isolation Stop Qtr Turn Ceramic Disc

FW2015

## Product Specifications

**MT** MONOPOLY™  
TAPWARE



### Specifications

Maximum working temperature 80°C

Maximum pressure rating 1000kPa

### Sizing Chart [MM]

	L1	L2	L3	H1	H2	W	TH1	TH2
FW2015	45	44	49	66	27	25	G 1/2"	G 3/4"

### Material Chart

Part	Material
Body	DR Brass
Cartridge	DR Brass
Buttons	PP
Check Valve	PDM
Handle	ABS

### Features

Watermark approved

Chrome plated finish

Integral non return valve

Fashionable metal handle

No water hammer

Simplicity of operation

Premium quarter turn ceramic disc

Supplied with red & blue indicator buttons

Australian patent number 2003213322

Tested and certified to AS/NZS 3718



For more information on Monopoly Tapware, contact:  
Austworld 15 Activity Crescent, Molendinar, Queensland 4214 Australia

P. 1300 780 430 F. 1300 780 441 E. [info@austworld.com.au](mailto:info@austworld.com.au)

Austworld Pty Ltd. All rights reserved 2018. Austworld and Monopoly Tapware are registered trade mark belonging to Austworld Pty Ltd.

**AW**  
AUSTWORLD