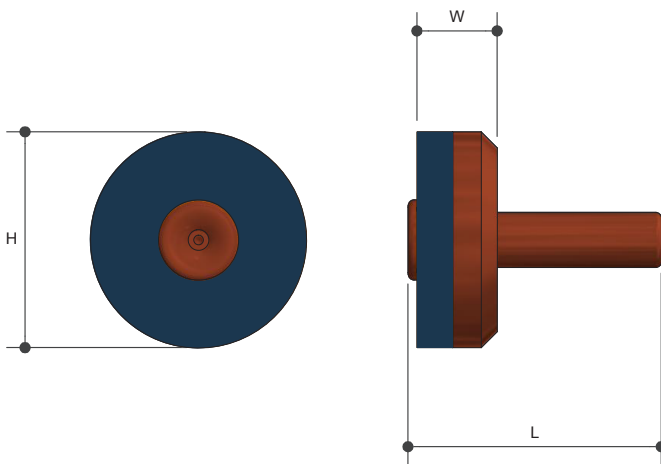


# JUMPER VALVES

Premium Copper

Product Specifications

Metforge®  
brassware



## Specifications

Working temperature 1 °C to 75 °C

Max. pressure rating 1000kPa

## Sizing Chart (MM)

JVD15	L	L	H	SIZE
JVD15	22	19	7	DN15

## Features

Watermark approved

Easy turn operation

Suitable for hot and cold water

Tested and certified to AS/NZS 3718



## Material Chart

Part	Material
Stem	Copper
Seal	Coatlon

For more information on Metforge, contact:

Austworld 15 Activity Crescent, Molendinar, Queensland 4214 Australia

P. 1300 780 430

F. 1300 780 441

E. [info@austworld.com.au](mailto:info@austworld.com.au)

Austworld Pty Ltd. All rights reserved 2018. Austworld and Metforge are registered trade mark belonging to Austworld Pty Ltd.

**AW**  
AUSTWORLD