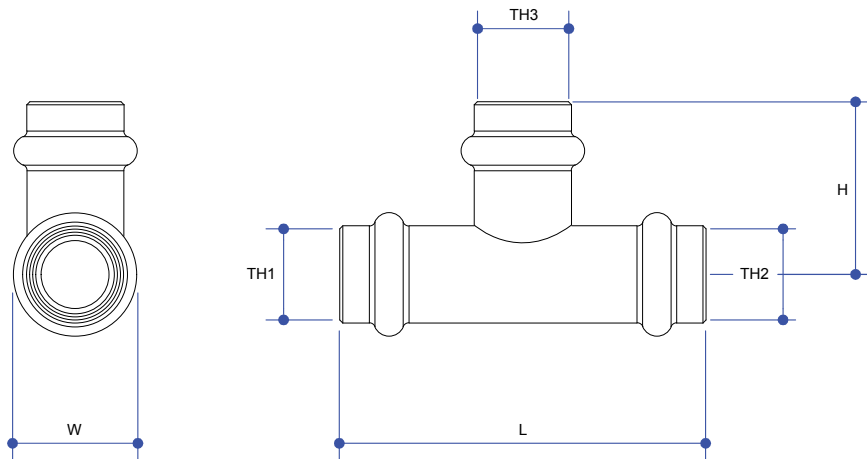


WATER FITTINGS - COPPER

TEE EQUAL #24

Product Specifications

METPRESSTM
SUPERIOR PRESSFIT SYSTEM



Specifications

Working temperature -20°C to 120°C

Max. pressure rating 2000kPa

Sizing Chart (MM)

	L	H	W	TH1	TH2	TH3
PFW094	60	28	20	DN15	DN15	DN15
PFW095	75	36	27	DN20	DN20	DN20
PFW096	85	42	34	DN25	DN25	DN25
PFW097	96	47	41	DN32	DN32	DN32
PFW098	112	56	48.5	DN40	DN40	DN40
PFW099	140	70	62.5	DN50	DN50	DN50

Features



Watermark approved

Copper

100% pressure tested

Tested and certified to AS 3688

Material Chart

Part	Material
Body	Copper
O Ring	EPDM

For more information on Metpress fittings, contact:
Austworld 15 Activity Crescent, Molendinar, Queensland 4214 Australia
P. 1300 780 430 F. 1300 780 441 E. info@austworld.com.au

Austworld Pty Ltd. All rights reserved 2020.
Austworld and Metpress are registered trade mark belonging to Austworld Pty Ltd.

AW
AUSTWORLD