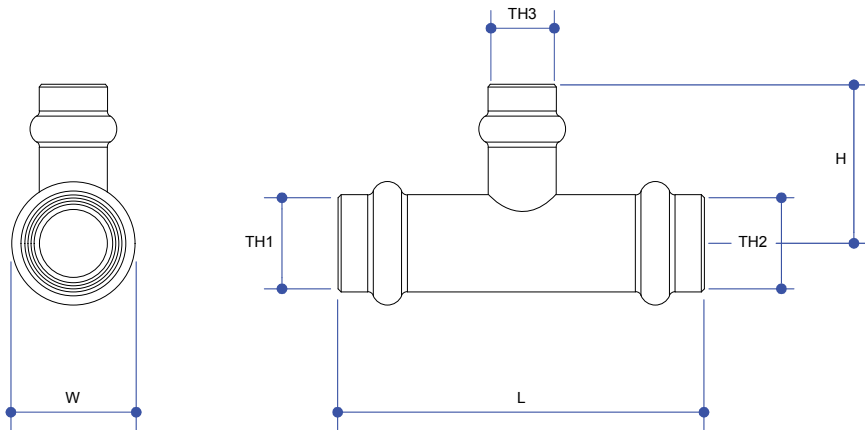


WATER FITTINGS - COPPER

TEE REDUCING #25

Product Specifications

METPRESSTM
SUPERIOR PRESSFIT SYSTEM



Specifications

Working temperature -20°C to 120°C

Max. pressure rating 2000kPa

Sizing Chart (MM)

	L	H	W	TH1	TH2	TH3
PFW103	71	32	27	DN20	DN15	DN15
PFW104	76	36	27	DN20	DN15	DN20
PFW105	70	32	27	DN20	DN20	DN15
PFW106	72	34.5	34	DN25	DN25	DN15
PFW107	80	38.5	34	DN25	DN25	DN20
PFW110	93	44	41	DN32	DN32	DN25
PFW113	107	52	48.5	DN40	DN40	DN32
PFW115	132	63.5	62.5	DN50	DN50	DN40

Features



Watermark approved

Copper

100% pressure tested

Tested and certified to AS 3688

Material Chart

Part	Material
Body	Copper
O Ring	EPDM

For more information on Metpress fittings, contact:
Austworld 15 Activity Crescent, Molendinar, Queensland 4214 Australia
P. 1300 780 430 F. 1300 780 441 E. info@austworld.com.au

Austworld Pty Ltd. All rights reserved 2020.
Austworld and Metpress are registered trade mark belonging to Austworld Pty Ltd.

AW
AUSTWORLD