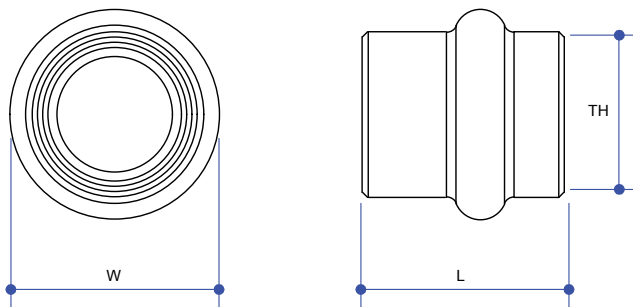


# WATER FITTINGS - COPPER

## END CAP

### Product Specifications

**METPRESS**<sup>TM</sup>  
SUPERIOR PRESSFIT SYSTEM



### Specifications

Working temperature -20°C to 120°C

Max. pressure rating 2000kPa

### Sizing Chart (MM)

	L	W	TH1
PFW122	20	20	DN15
PFW123	24.5	27	DN20
PFW124	24.5	34	DN25
PFW125	28.5	41	DN32
PFW126	35	48.5	DN40
PFW127	42.5	62.5	DN50

### Features



Watermark approved

Copper

100% pressure tested

Tested and certified to AS 3688

### Material Chart

Part	Material
Body	Copper
O Ring	EPDM

For more information on Metpress fittings, contact:  
Austworld 15 Activity Crescent, Molendinar, Queensland 4214 Australia  
P. 1300 780 430 F. 1300 780 441 E. info@austworld.com.au

Austworld Pty Ltd. All rights reserved 2020.  
Austworld and Metpress are registered trade mark belonging to Austworld Pty Ltd.

**AW**  
AUSTWORLD