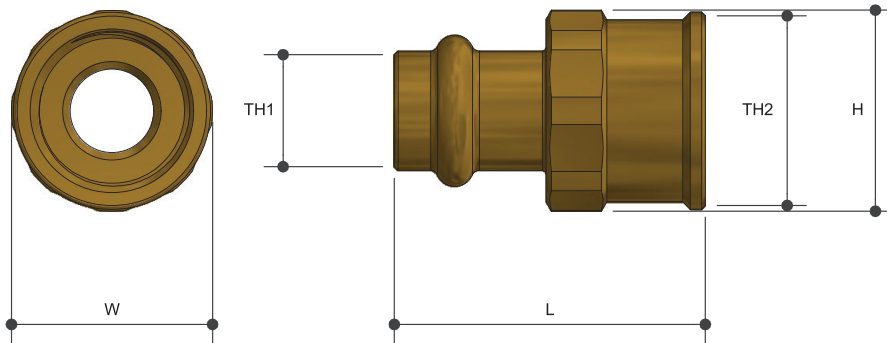


WATER FITTINGS - BRASS

Union Fl

Product Specifications

METPRESSTM
SUPERIOR PRESSFIT SYSTEM



Features

Watermark approved

DR Brass

100% pressure tested

Tested and certified to AS 3688

Specifications

Working temperature -20°C to 120°C

Max. pressure rating 2000kPa

Sizing Chart (MM)

	L	H	W	TH1	TH2
PFW149	41	27	27	DN15	Rp 1/2"
PFW150	46	31	31	DN20	Rp 3/4"
PFW151	49	39	39	DN25	Rp 1"
PFW152	53	50	50	DN32	Rp 1 1/4"
PFW153	59	57	57	DN40	Rp 1 1/2"
PFW154	65	64	64	DN50	Rp 2"
PFW222	86	31	31	DN65	Rp 2 1/2"
PFW224	92	35	35	DN80	Rp 3"

Material Chart

Part	Material
Body	DR Brass
O Ring	FKM

For more information on Metpress fittings, contact:

Austworld 15 Activity Crescent, Molendinar, Queensland 4214 Australia

P. 1300 780 430

F. 1300 780 441

E. info@austworld.com.au

Austworld Pty Ltd. All rights reserved 2020.

Austworld and Metpress are registered trade mark belonging to Austworld Pty Ltd.

AW
AUSTWORLD