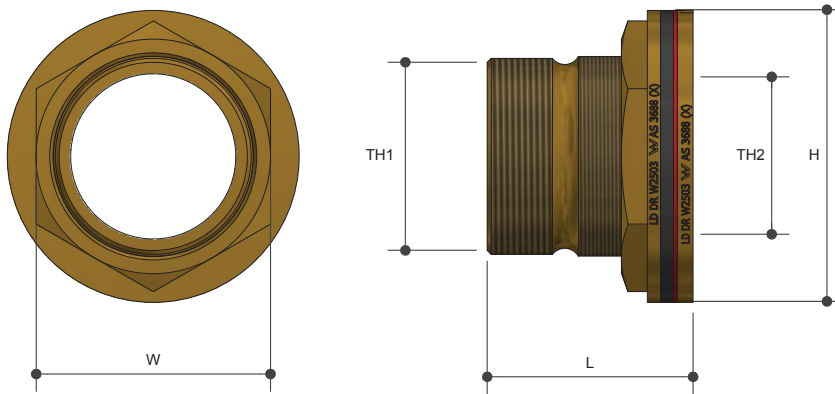


TANK FITTINGS

Tank Flange Watermarked

Product Specifications



Specifications

Working temperature 1°C - 95°C

Maximum pressure rating 1600kPa

Sizing Chart (MM)

	L	H	W	TH1	TH2
TF20	58	47	34	R 3/4"	G 1/2"
TF25	60	58	42	R 1"	G 3/4"
TF32	70	65	50	R 1 1/4"	G 1"
TF40	72	74	56	R 1 1/2"	G 1 1/4"
TF50	75	88	69	R 2"	G 1 1/2"
TF65	78	110	90	R 2 1/2"	G 2"
TF80	88	124	101	R 3"	-
TF100	96	156	130	R 4"	-

*No internal thread for TF80 and TF100

Features



Watermark approved

DR Brass

Tested and certified to AS 3688

Material Chart

Part	Material
Body	DR Brass
Nut	Brass
Washer	EPDM
Washer	Fibre

For more information on Metforge, contact:

Austworld 15 Activity Crescent, Molendinar, Queensland 4214 Australia

P. 1300 780 430

F. 1300 780 441

E. info@austworld.com.au

Austworld Pty Ltd. All rights reserved 2018. Austworld and Metforge are registered trade mark belonging to Austworld Pty Ltd.

