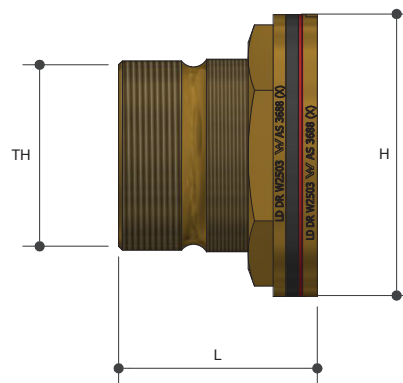
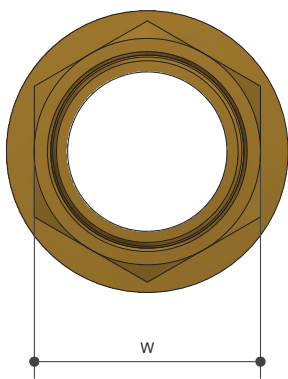


FIRE CONTROL FITTINGS

Tank Flange CFA

Product Specifications



Specifications

Working temperature 1°C to 60°C

Maximum pressure rating 1600kPa

Sizing Chart (MM)

	L	H	W	TH
TF65CFA	79	112	90	R 2 1/2"

Features



Watermark approved

DR Brass

Tested and certified to AS 3688

Material Chart

Part	Material
Body	DR Brass
Washer	EPDM
Washer	Fibre
Nut	Brass

For more information on Metforge, contact:

Austworld 15 Activity Crescent, Molendinar, Queensland 4214 Australia

P. 1300 780 430

F. 1300 780 441

E. info@austworld.com.au

Austworld Pty Ltd. All rights reserved 2018. Austworld and Metforge are registered trade mark belonging to Austworld Pty Ltd.

