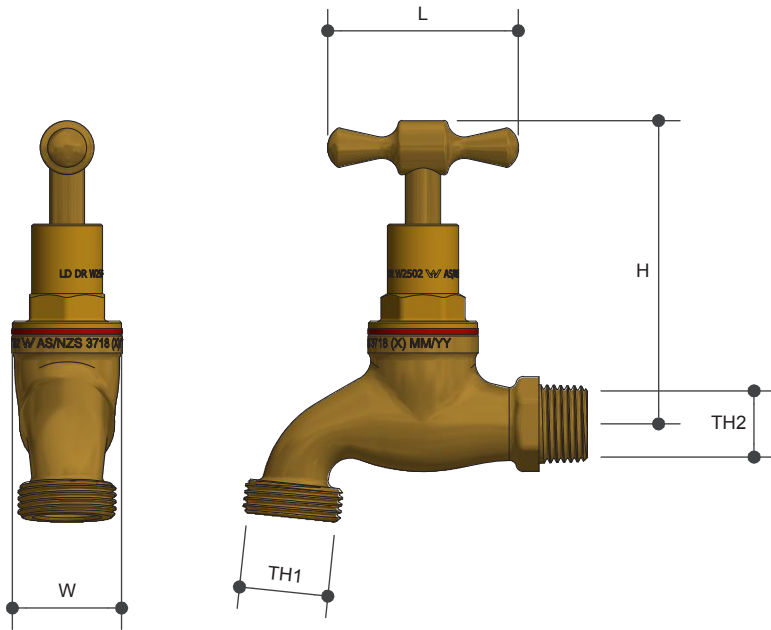


HOSE TAPS

Standard MI

Product Specifications



Specifications

Working temperature 1 °C to 75 °C

Max. pressure rating 1000kPa

Features

Watermark approved

100% Pressure tested

Available in brass, chrome & nickel plated

Double O Ring on spindle

Tested and certified to AS/NZS 3718

Sizing Chart (MM)

	L	H	W	TH1	TH2
TH03	79	81	29	G 3/4"	R 1/2"
TH05***	79	81	29	G 3/4"	R 1/2"
TH10*	79	81	29	G 3/4"	R 1/2"
TH12**	79	81	29	G 3/4"	R 1/2"
TH14	79	81	33	G 1"	R 3/4"
TH16	79	81	33	G 1"	R 3/4"

* Chrome Plated

** Polished Brass

***Nickel Plated

Material Chart

Part	Material
Body	DR Brass
Seal	EPDM
Jumper	PA
Spindle	DR Brass
Washer	Fibre
O Ring	EPDM
Cap	DR Brass
Handle	Brass

For more information on Metforge, contact:

Austworld 15 Activity Crescent, Molendinar, Queensland 4214 Australia

P. 1300 780 430

F. 1300 780 441

E. info@austworld.com.au

Austworld Pty Ltd. All rights reserved 2018. Austworld and Metforge are registered trade mark belonging to Austworld Pty Ltd.

