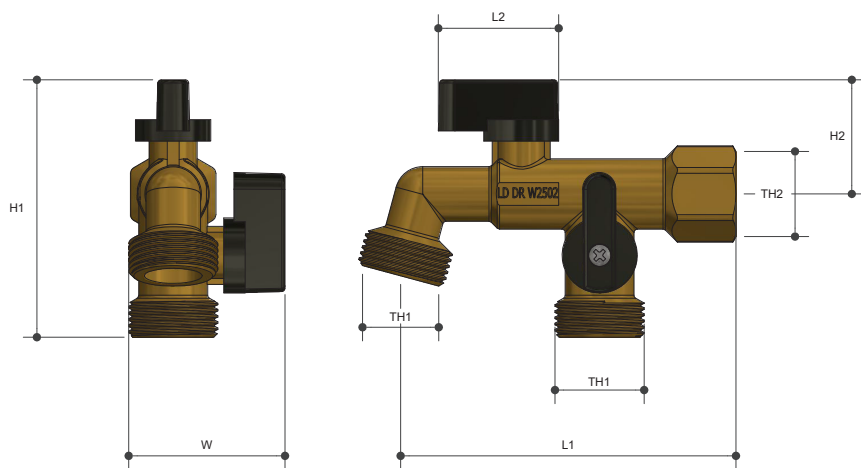


# HOSE TAPS

Dual Outlet Quarter Turn Fl

Product Specifications

Metforge®  
brassware



## Features

- Watermark approved
- 100% pressure tested
- Blow proof spindle
- Integral check valve
- Available in brass and chrome finish
- Tested and certified to AS/NZS 3718

## Specifications

Working temperature 1 °C to 75 °C

Max. pressure rating 1000kPa

## Sizing Chart (MM)

	L1	L2	H1	H2	W	TH1	TH2
TH78	98	35	76	34	46	G 3/4"	G 1/2"
TH78CP*	98	35	76	34	46	G 3/4"	G 1/2"

\* Chrome plated finish

## Material Chart

Part	Material
Body	DR Brass
Ball	DR Brass
O Ring	EPDM
Washer	Stainless Steel
Spindle	DR Brass
Handle	Aluminium

For more information on Metforge, contact:  
Austworld 15 Activity Crescent, Molendinar, Queensland 4214 Australia  
P. 1300 780 430 F. 1300 780 441 E. info@austworld.com.au

Austworld Pty Ltd. All rights reserved 2018. Austworld and Metforge are registered trade mark belonging to Austworld Pty Ltd.

**AW**  
AUSTWORLD