

HOT WATER SYSTEM VALVE

Standard

Product Specifications



Description

This Standard Tempering Logi Valve (TV), is perfect for when you need to mix hot and cold water to deliver a continuous temperate water temperature through a hot water system. For example, when you need to temper hot water supplied to outlets used for personal hygiene purposes, where the water temperature must not exceed 50°C

Features

Watermark approved

Integral mesh strainers

Integral non return valves

Innovative polymers for greater resistance to calcium deposits

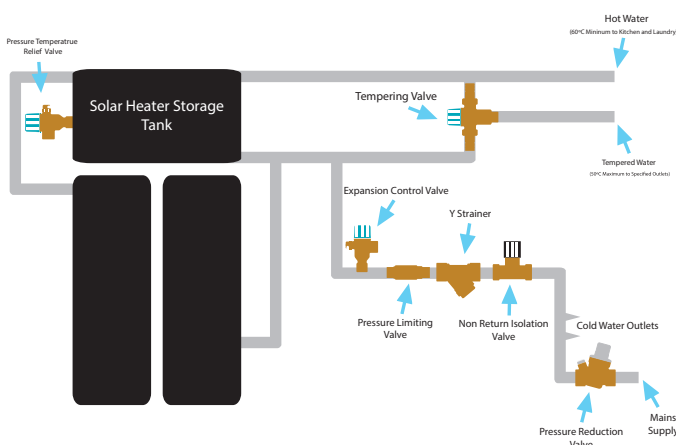
Factory set at 50°C (must be commissioned on site)

Tamper proof adjustment

Tested and certified to AS 4032.2

Insulation jacket provided as per AS 3500

Solar Hot Water System



Installation

Logi Valve shall be installed in accordance with Logi Valves installation instructions, AS 3500 and any local requirements.

Prior to installation ensure that all lines are flushed for debris that may cause the product to malfunction.

Make sure that non return valves and strainers are fitted both ends of the valve.

It is recommended to install the TV Series in a location that it can be easily accessed for strainer checking, cleaning and or temperature adjustment.

If the TV is fitted to a sanitary outlet, 1m of pipe must be installed between the TV and the outlet.

For more information on Logi Valve, contact:
Austworld 15 Activity Crescent, Molendinar, Queensland 4214 Australia
P. 1300 780 430 F. 1300 780 441 E. info@austworld.com.au

Austworld Pty Ltd. All rights reserved 2018. Austworld and Logi Valve are registered trade mark belonging to Austworld Pty Ltd.

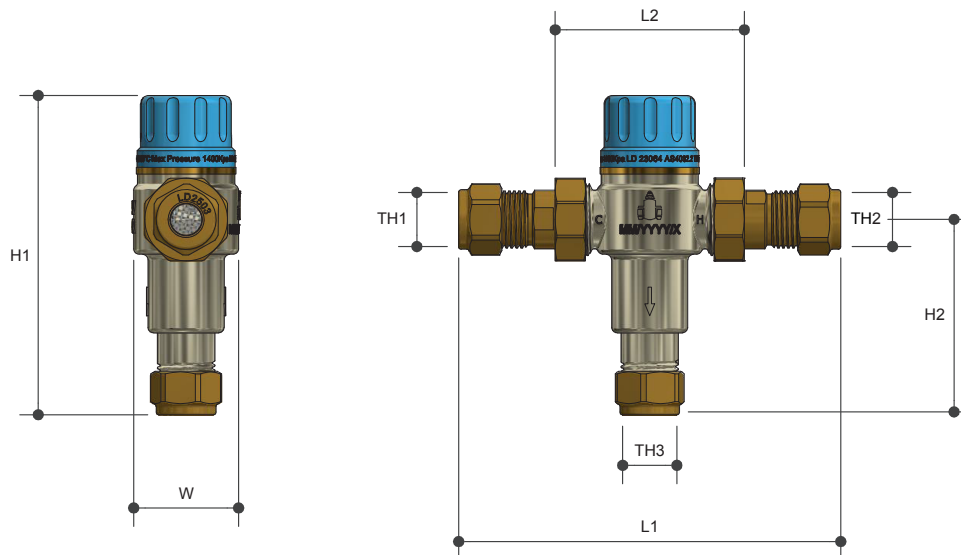


HOT WATER SYSTEM VALVE

Standard



Product Specifications



Sizing Chart (MM)

	L1	L2	H1	H1	W	TH1	TH2	TH3
TV15	138	69	116	70	38	DN15	DN15	DN15

Technical Specifications

Cold water supply temperature	5°C - 30°C
Hot water supply temperature	60°C - 90°C ¹
Adjustable outlet temperature	40°C - 50°C ²
Set temperature	50°C Standard (Must be commissioned on site by installer)
Accuracy of outlet temperature	±3°C (as per AS 4032.2) ³
Minimum temperature differential (between hot supply and outlet temperature)	15°C
Maximum working pressure (static)	1400Kpa
Maximum working pressure (dynamic)	500Kpa
Pressure supply differential (dynamic)	2:1 Maximum
Maximum permitted pressure variation in either supply, in order to control outlet temperature to ±3°C (from supply pressure at commissioning)	±10% Maximum ⁴
Minimum flow rate	3.6 L/Min under outlet pressure 10Kpa

For more information on Logi Valve, contact:
 Austworld 15 Activity Crescent, Molendinar, Queensland 4214 Australia
 P. 1300 780 430 F. 1300 780 441 E. info@austworld.com.au

Austworld Pty Ltd. All rights reserved 2018. Austworld and Logi Valve are registered trade mark belonging to Austworld Pty Ltd.



HOT WATER SYSTEM VALVE

Standard



Product Specifications

Please Note

1. Please note that the minimum temperature of a hot water storage system is 60°C to inhibit the growth of Legionella Bacteria.
2. This is the minimum difference required to ensure shut-off of outlet flow if the cold water unexpectedly fails. This is in accordance with AS 4032.2 providing the valve is set between 40°C and 50°C.
3. For installation outside the requirements of AS3500 and AS4032.2, it is possible to set the valve as high as 55°C or as low as 35°C, depending on site conditions.
4. The Maximum permitted ratio of supply pressures, under dynamic flow conditions. For optimum performance it is recommended that the hot and cold water pressures at commissioning are as close as possible to equal.

Maintenance

It is recommended that the valve be checked annually to ensure its continued operation. For installations with poor or unknown water quality, or other harsh conditions, it is advised to check the valve more frequently.

The temperature should be checked at the same outlet the valve was commissioned at initially. For the location of the initial commissioning please refer to the valve installation sticker.

All valves that need to be accessed for cleaning and maintenance should be placed in a easily accessible location.

The valve cannot be serviced, if the valve fails it must be replaced.

Please note that the valve should be replaced every 5 years.

After TV has been commissioned, the commissioning label must be completed and affixed to the water heater.

Commissioning

After installation the TV must be commissioned at the nearest downstream outlet by measuring the outlet temperature

The commissioning of the temperature should be carried out using a calibrated and accurate thermometer.

The tap should be opened to achieve a minimum of 4/LMIN, allow the water to stabilise before commencing commissioning.

To adjust the tempered outlet please remove the cap using the special tool moulded into the cap on the adjusting spindle rotate clock wise to reduce the temperature and rotate anti clock wise to increase the temperature.

This should be done until the desired temperature has been reached.

After completion replace the cap on the body

Precautions

Do not expose TV to torch flame or heat

Do not install in freezing conditions without proper insulation

Not to be used on steam supplied systems

Not to be used on low pressure systems

Not to be used with instantaneous hot water units

In the event of hot and cold water supply failure, the piston will shut off, stopping water from discharging out of the mixed water outlet

For more information on Logi Valve, contact:
Austworld 15 Activity Crescent, Molendinar, Queensland 4214 Australia
P. 1300 780 430 F. 1300 780 441 E. info@austworld.com.au

Austworld Pty Ltd. All rights reserved 2018. Austworld and Logi Valve are registered trade mark belonging to Austworld Pty Ltd.

AUSTWORLD