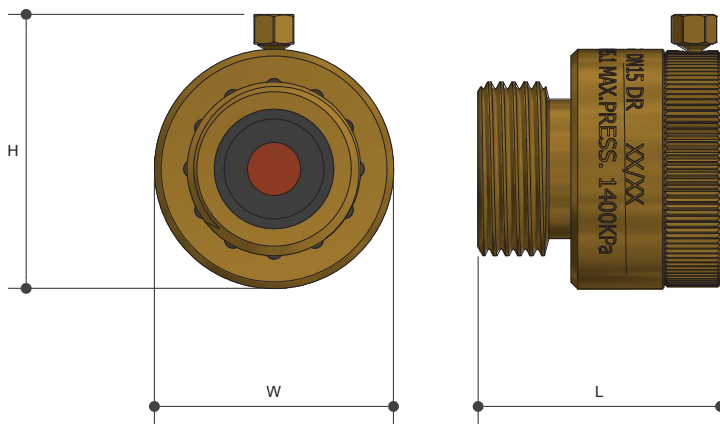


VACUUM BREAKERS

Hose Tap Vacuum Breaker

Product Specifications



Specifications

Maximum working temperature 1°C to 75°C

Maximum pressure rating 1400kPa

Sizing Chart (MM)

	L	H	W	TH1	TH2
VB15	36	40	35	G 3/4"	G 3/4"
VB15C	36	40	35	G 3/4"	G 3/4"
VB20	38	47	41	G 1"	G 1"
VB20C	38	47	41	G 1"	G 1"

Features

Watermark approved

Solid Brass Construction

Tested and certified to AS/NZS 3718

Material Chart

Part	Material
Body	Brass

For more information on Metforge, contact:

Austworld 15 Activity Crescent, Molendinar, Queensland 4214 Australia

P. 1300 780 430

F. 1300 780 441

E. info@austworld.com.au

Austworld Pty Ltd. All rights reserved 2018. Austworld and Metforge are registered trade mark belonging to Austworld Pty Ltd.

