

WDF15S

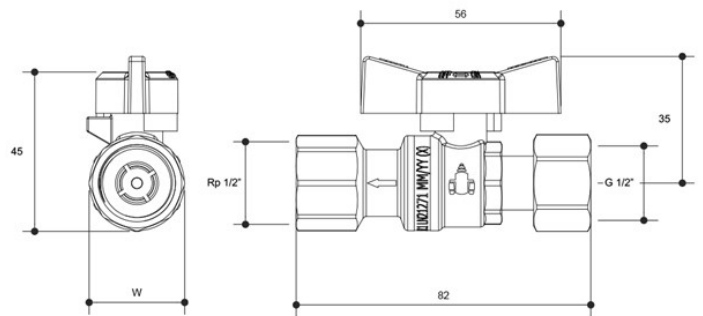
Product Specifications

Dual Isolation Non Return Ball Valve With Check Valve Swivel
FI 15MM

Yes



Yes



Unit is shipped in 1 per box

FEATURES

- Check Valve:** Yes
- Finish:** Brass
- Metal Type:** DZR Brass
- Swivel Nut:** Yes
- Watermarked:** Yes

SPECIFICATIONS

Maximum Water Pressure (KPa): 1400

WARRANTY

12 months on Product or Parts



CHECK VALVE



SWIVEL NUT



Austworld Commodities Pty Ltd ABN: 88 374 217 957 ACN: 88 374 217 957

This information must only be used for accessing a products suitability for your specific application. The information remains the intellectual property of Austworld and must not be used or reproduced for any other purpose without Austworld's prior written permission.



1300 780 430
www.austworld.com.au