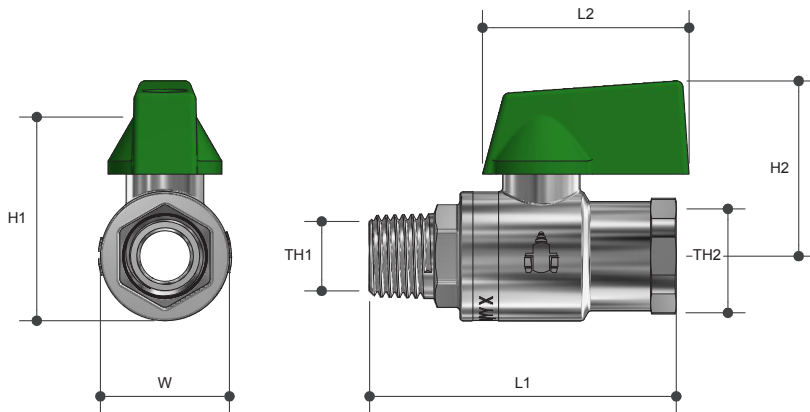


# WATERMARKED BALL VALVE

Mini Ball Valve MI X FI

Product Specifications



## Specifications

Working temperature 1°C to 120°C

Maximum pressure rating 2500kPa

## Sizing Chart (MM)

	L1	L2	H1	H2	W	TH1	TH2
WMBV06MH	48	32	32	27	20	R 1/4"	Rp 1/4"
WMBV10MH	49	32	32	27	20	R 3/8"	Rp 3/8"
WMBV20MH	60	32	38	30	25	R 1/2"	Rp 1/2"

## Features

Watermark approved

Full bore

100% pressure tested

Available in sizes from 6mm (1/4") to 20mm (3/4")

Tested and certified to WMTS012

## Material Chart

Part	Material
Ball	DR Brass
Handle	Aluminium
Body	DR Brass
Cap	DR Brass
O Ring	FKM
Spindle	DR Brass

For more information on Logi Valve, contact:  
Austworld 15 Activity Crescent, Molendinar, Queensland 4214 Australia  
P. 1300 780 430 F. 1300 780 441 E. info@austworld.com.au

Austworld Pty Ltd. All rights reserved 2018. Austworld and Logi Valve are registered trade mark belonging to Austworld Pty Ltd.

Revision no. 1.0 | 24/05/2021

