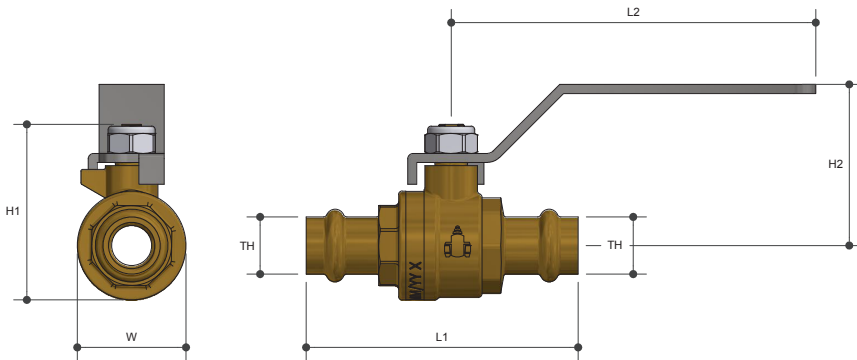


# WATERMARKED BALL VALVE

Pressfit CU X CU Lever Handle

## Product Specifications



## Features

Watermark approved

Full bore

Available in sizes 15mm (1/2") to 50mm (2")

100% pressure tested

Blow proof spindle

For use with Viega, Rothenberger, Novopress, Kempress, Rems & V-Profile Tools only

Tested and certified to WMTS012

## Specifications

Working temperature 1°C to 90°C

Maximum pressure rating 1400kPa

## Sizing Chart (MM)

	L1	L2	H1	H2	W	TH
WP15	75	101	48	44	30	DN15
WP20	87	101	55	48	37	DN20
WP25	101	101	64	52	46	DN25
WP32	114	140	80	71	58	DN32
WP40	135	140	92	77	69	DN40
WP50	163	140	108	85	84	DN50

## Material Chart

Part	Material
Body	DR Brass
Seal	PTFE
Ball (15-40MM)	DR Brass
Ball (50MM)	Stainless Steel
Spindle (15-40MM)	DR Brass
Spindle (50MM)	Stainless Steel
Bonnet	DR Brass
O Ring	FKM
Handle	Stainless Steel
Lock Nut	Stainless Steel

For more information on Logi Valve, contact:  
 Austworld 15 Activity Crescent, Molendinar, Queensland 4214 Australia  
 P. 1300 780 430 F. 1300 780 441 E. info@austworld.com.au

Austworld Pty Ltd. All rights reserved 2018. Austworld and Logi Valve are registered trade mark belonging to Austworld Pty Ltd.

Revision no. 1.0 | 24/05/2021

