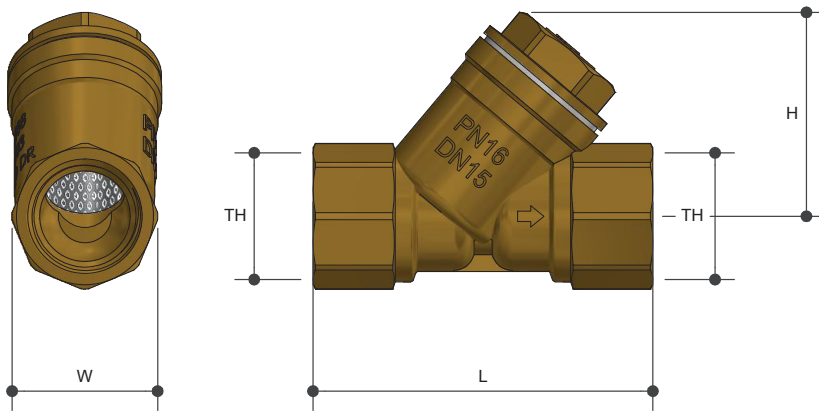


# Y STRAINER

Watermarked

Product Specifications

Metforge®  
brassware



## Specifications

Working temperature 1 °C - 99 °C

Maximum pressure 1600kPa

Mesh Size

- 15MM-25MM 350 Micron
- 32MM-50MM 500 Micron

## Sizing Chart (MM)

	L	H	W	TH	FILTERS (micron)
WYS15	64	38	27	Rp 1/2"	350
WYS20	73	45	33	Rp 1/4"	350
WYS25	91	53	41	Rp 1"	350
WYS32	108	65	51	Rp 1 1/4"	500
WYS40	114	73	59	Rp 1 1/2"	500
WYS50	143	88	70	Rp 2"	500

## Features



Watermark Approved

DR Brass

SS304 Filter

Tested and certified to AS 3688

## Material Chart

Part	Material
Cap	DR Brass
Body	DR Brass
Washer	PTFE
Mesh	Stainless Steel

For more information on Metforge, contact:

Austworld 15 Activity Crescent, Molendinar, Queensland 4214 Australia

P. 1300 780 430

F. 1300 780 441

E. info@austworld.com.au

Austworld Pty Ltd. All rights reserved 2018. Austworld and Metforge are registered trade mark belonging to Austworld Pty Ltd.

**AW**  
AUSTWORLD