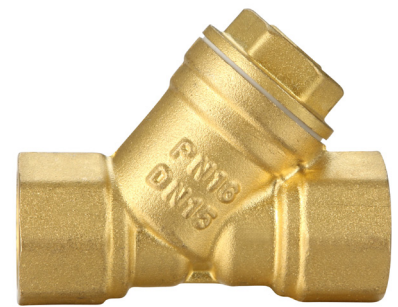
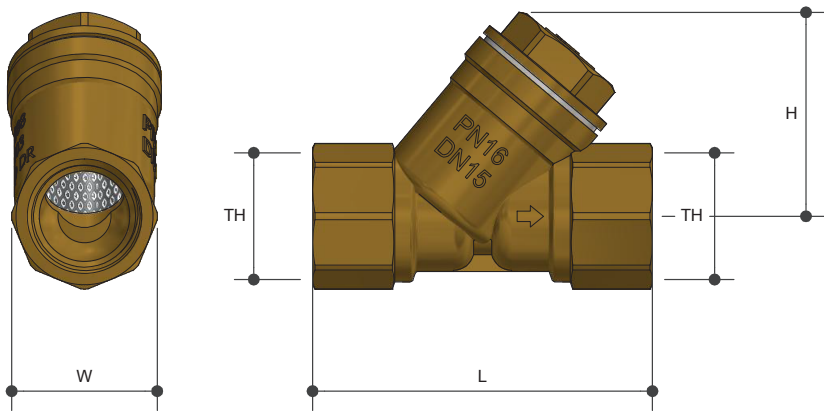


# Y STRAINER

General Purpose

Product Specifications

Metforge®  
brassware



## Specifications

Working temperature 1°C - 99°C

Maximum pressure 1600kPa

Mesh Size

- 15MM-25MM 350 Micron
- 32MM-50MM 500 Micron

## Sizing Chart (MM)

	L	H	W	TH	FILTERS (micron)
YS15	64	38	27	G 1/2"	350
YS20	73	45	33	G 1/4"	350
YS25	91	53	41	G 1"	350
YS32	108	65	51	G 1/4"	500
YS40	114	73	59	G 1 1/2"	500
YS50	143	88	70	G 2"	500

## Features

General Purpose

Brass

SS304 Filter



## Material Chart

Part	Material
Cap	Brass
Body	Brass
Washer	PTFE
Mesh	Stainless Steel

For more information on Metforge, contact:

Austworld 15 Activity Crescent, Molendinar, Queensland 4214 Australia

P. 1300 780 430

F. 1300 780 441

E. info@austworld.com.au

Austworld Pty Ltd. All rights reserved 2018. Austworld and Metforge are registered trade mark belonging to Austworld Pty Ltd.

**AW**  
AUSTWORLD